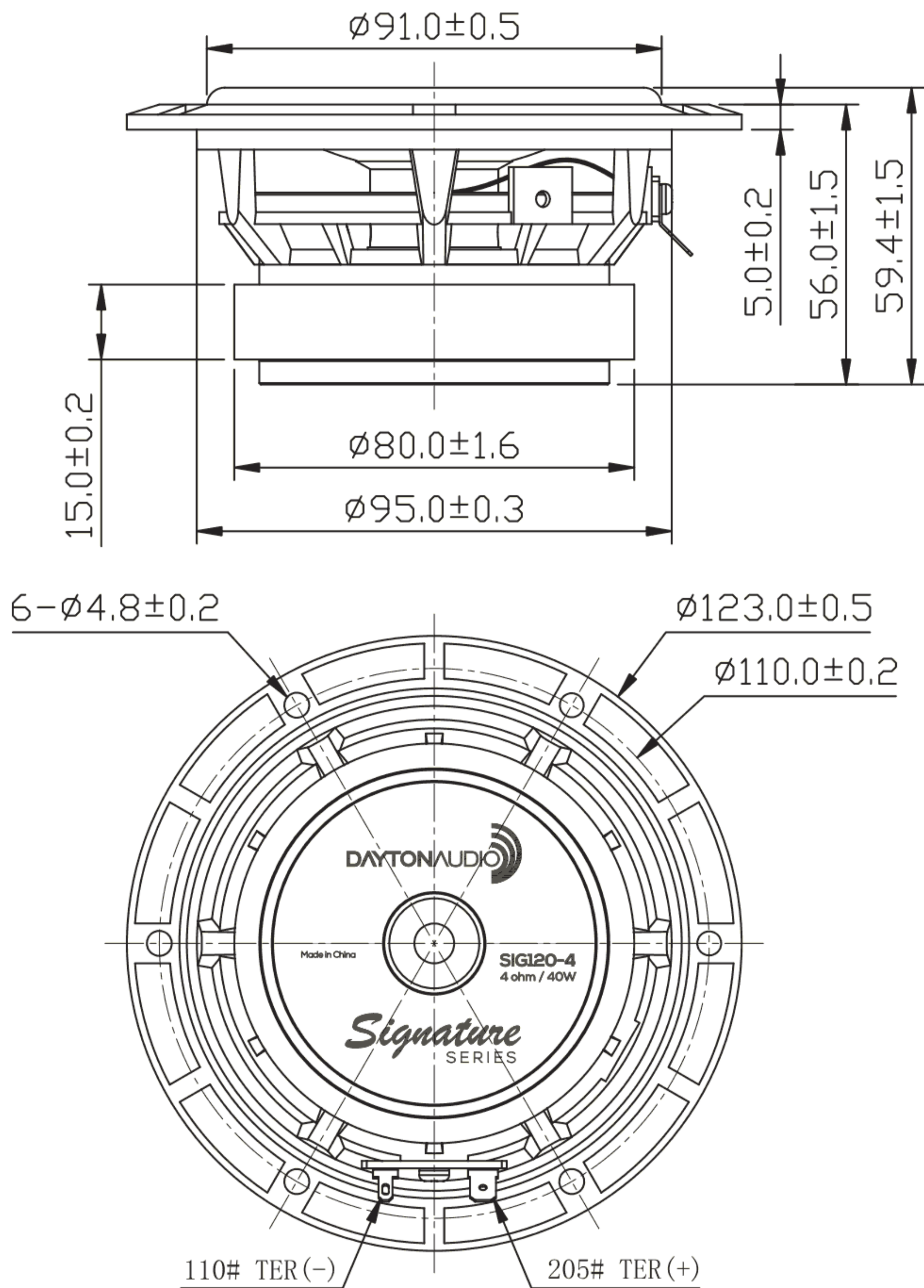




# 4" Signature Series Extended Range 40W Driver 4 Ohm

SIG120-4



## PARAMETERS

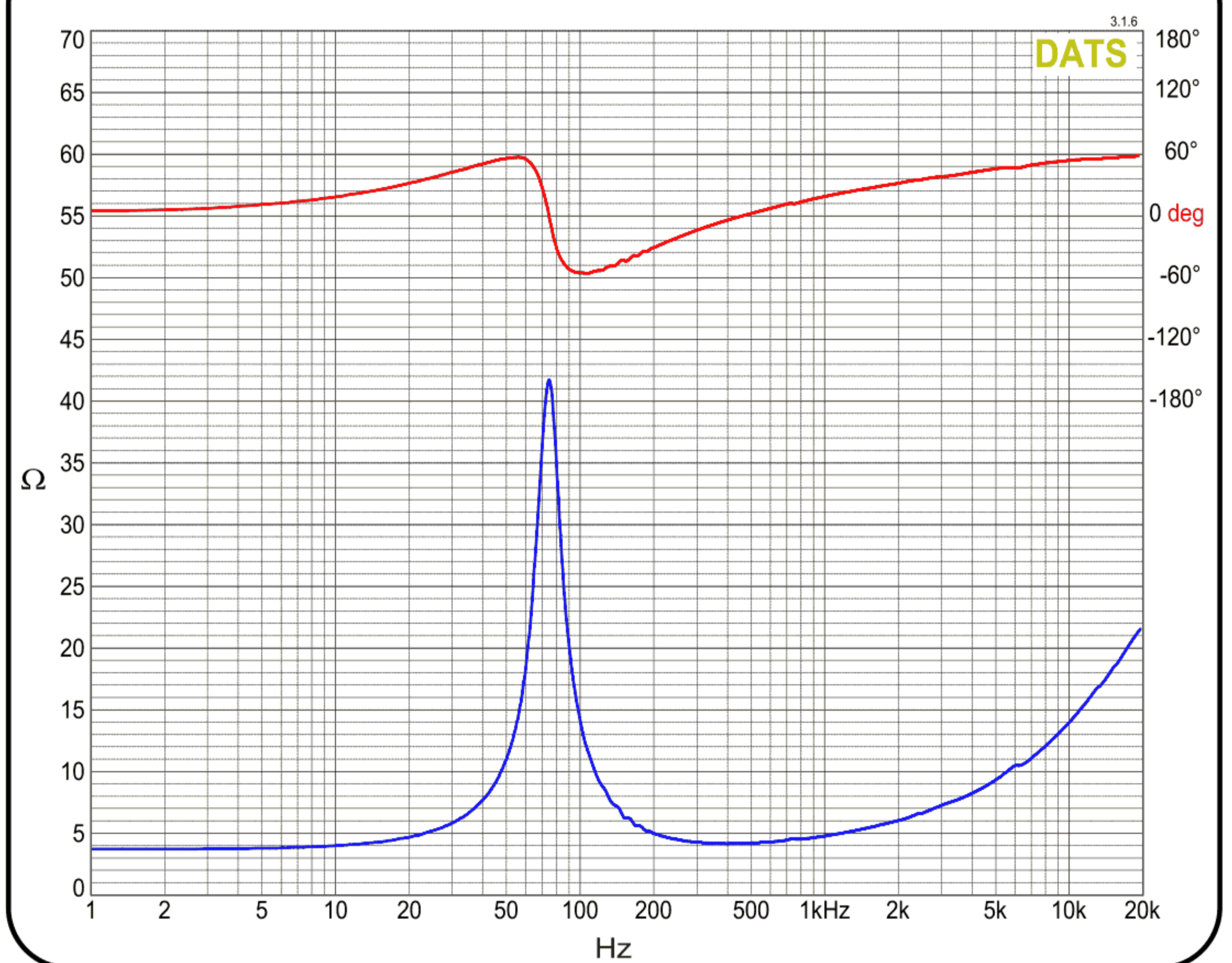
Impedance	4 ohms
Re	3.7 ohms
Le	0.22 mH
Fs	74.6 Hz
Qms	4.84
Qes	0.47
Qts	0.43
Mms	6.7g
Cms	0.68 mm/N
Sd	56.4 cm <sup>2</sup>
Vd	28.2 cm <sup>3</sup>
BL	5.0 Tm
Vas	3.1 liters
Xmax	4 mm*
VC Diameter	26.6 mm
SPL	89.7 dB @ 2.83V/1m
RMS Power Handling (AES 426B)	40 watts
Usable Frequency Range (Hz)	75 - 8,500 Hz

\*Xmax @ 82% BL

## FEATURES

- Extensive Klippel LMP and LSI testing to optimize BI symmetry and parameters
- One piece concave black anodized aluminum cone
- Indexed cone/surround junction for smooth transition/frequency response
- Polyimide formers and aluminum sleeve for improved inductance, damping, and frequency response
- Vented former and elevated spider for improved air flow
- Open aluminum cast frame for improved heat dissipation
- Countersunk stainless steel magnet badging for long time aesthetics

## IMPEDANCE/PHASE



## FREQUENCY RESPONSE

