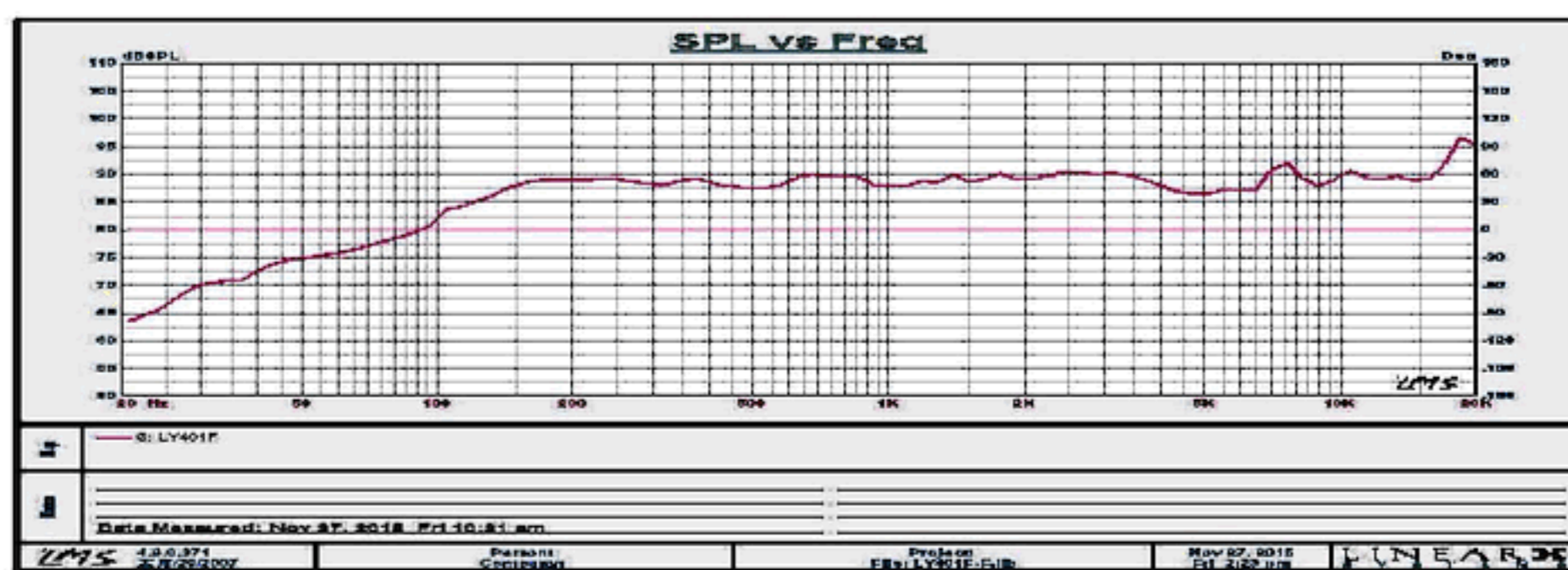
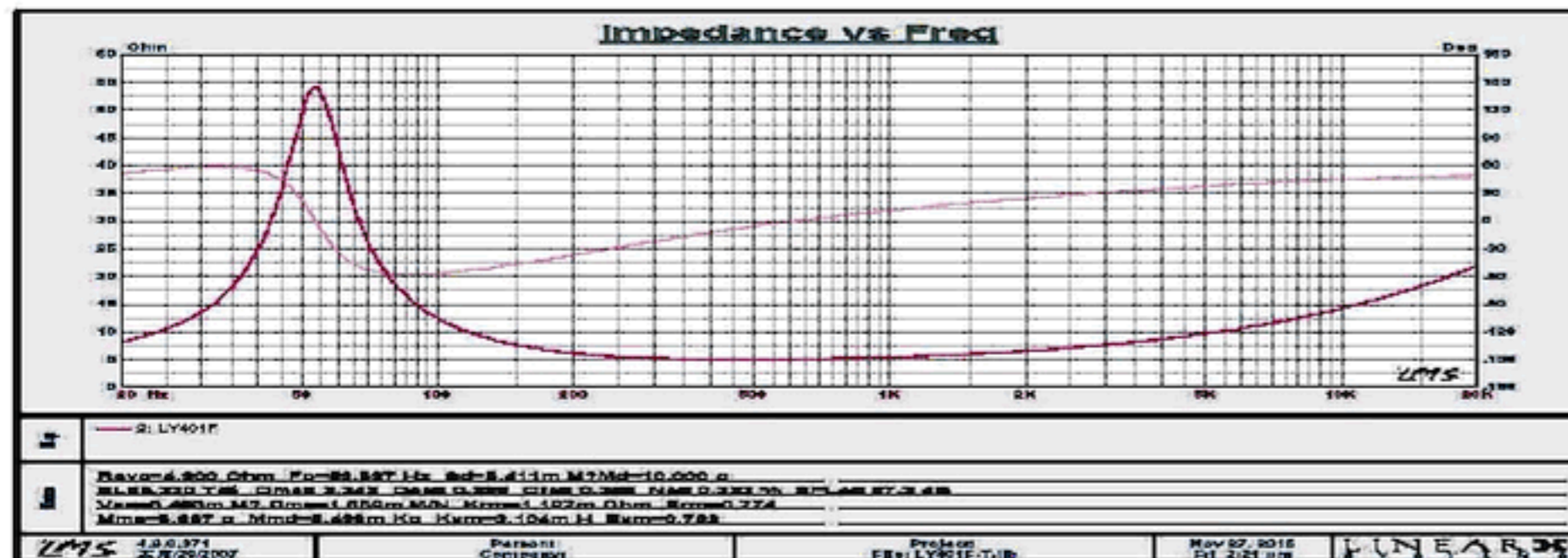


LY401F

- Cast aluminum frame.
- Whizzer cone design improves high frequency response .
- Extremely smooth response from 100-20000Hz .
- Full range frequency response.

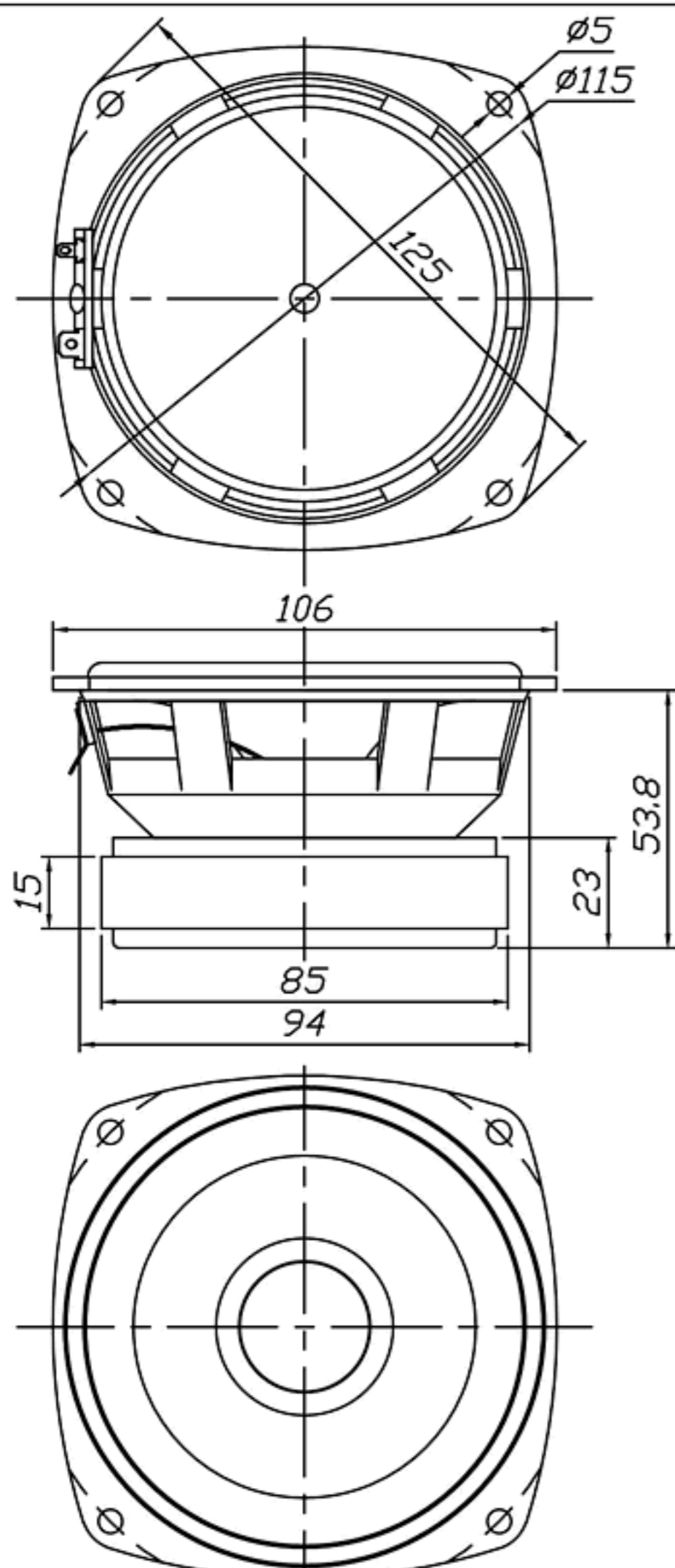


VOICE COIL

Diameter:	25.4	mm
Length:	7.1	mm
Former:	Kraft	(KSV)
Layers:	2	
Wire:	Copper	(SVW)

MAGNET

(1)		
Diameter:	85	mm
Height:	15	mm
Quantity	1	pcs
Weight:	354	grams
Gap(H):	4	mm
Material:	ferrite	Y35



SPECIFICATIONS

Dimention	105X105 mm
Cone material	Treated paper
Surround	Treated cloth
Nominal impedance	6 ohms
Nominal power handling	15 W
Program power handling	30 W
Sensitivity	88 ± 2dB(2.83V/M/W)
Free air resonance	60 ± 12 Hz
Frequency range	f0~20000 Hz
Net weight	800 grams

PARAMETERS

Total Q factor	Qts:	0.26
Electrical Q factor	Qes:	0.29
Mechanical Q factor	Qms:	3.34
Equivalent volume	Vas:	6.48 (L)
Free air resonance	Fs:	53.5 (Hz)
DC resistance	Re:	4.3 (Ω)
Driver piston diameter	D:	83 (mm)
Linear displacement	Xmax:	1.55 (mm)
Suspension compliance	Cms:	1.56 (mm//N)
Moving mass	Mms:	5.66 (grams)
BL product	BL:	5.33
Sound pressure level	SPL:	87.2 (dB)
Voicr coil inductance	Le(1K):	0.38 (m/H)