

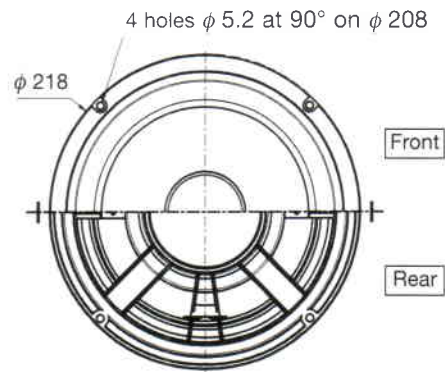
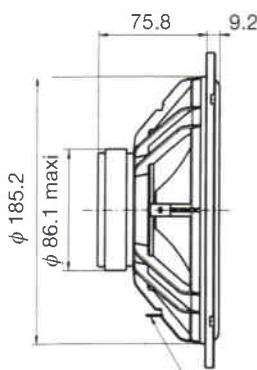
## BASS MIDRANGE

HP210Z0 W08ZGS3011  
102012F

### 8" HDA cone driver High impact polymer chassis



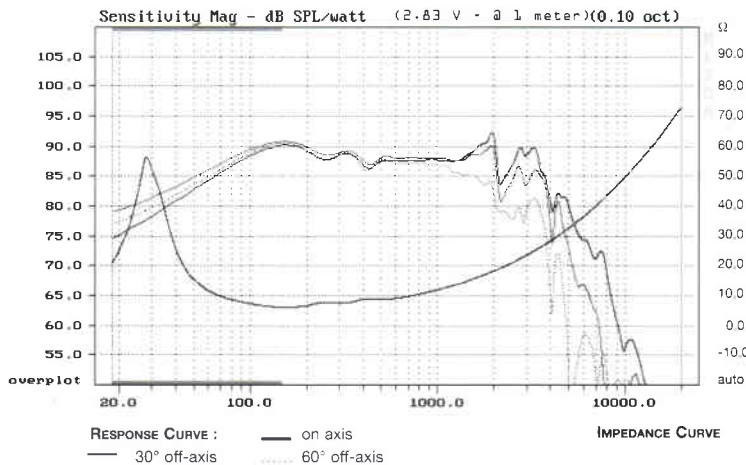
- HDA (High Definition Aerogel) cone
- Non resonant high impact polymer frame
- High loss rubber surround
- Built in cosmetic ring designed for front-rear and recessed mounting
- High temperature voice coil - 4 layers
- Aluminium former



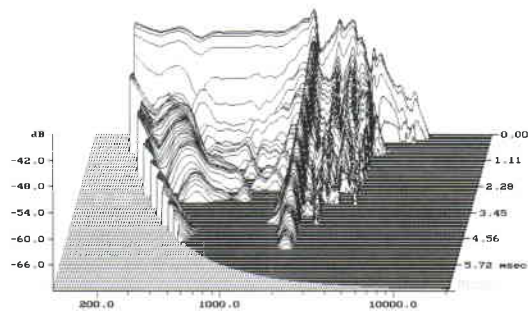
2 terminals 2.8 x 0.8 ♂ and 4.8 x 0.8 ♀

All dimensions in mm

## Response Curve



## Waterfall



## SPECIFICATIONS

Technical characteristics	Symbol	Value	Units
<b>PRIMARY APPLICATION</b>			
Nominal Impedance	Z	6	Ω
Resonance Frequency	Fs	29,7	Hz
Nominal Power Handling	P	70	W
Sensitivity (2,83 V - 1 m)	E	88	dB
<b>VOICE COIL</b>			
Voice Coil Diameter	φ	30	mm
Minimum Impedance	Zmin	5,9	Ω
DC Resistance	Dcr	5,4	Ω
Voice Coil Inductance	Lbm	1,20	mH
Voice Coil Length	h	11,2	mm
Former	-	Aluminium	-
Number of Layers	n	4	-
Wire type	-	round	-
Wire material	-	copper	-

## MAGNET

Magnet Dimensions	φ x h	84 x 15	mm
Magnet Weight	m	0,31	kg
Flux Density	B	1	T
Force Factor	BL	8,54	NA <sup>1</sup>
Height of Magnetic Gap	He	5	mm
Stray Flux	Fmag	-	Am <sup>2</sup>
Linear Excursion	Xmax	± 3,1	mm

## PARAMETERS

Suspension Compliance	Cms	1261	μm/N
Mechanical Q Factor	Qms	3,40	-
Electrical Q Factor	Qes	0,31	-
Total Q Factor	Qts	0,29	-
Mechanical Resistance	Rms	1,25	kg s <sup>-1</sup>
Moving Mass	Mms	22,78	g
Effective Piston Area	S	226,98	cm <sup>2</sup>
Volume Equivalent of Air at Cas	Vas	91,21	liters
Mass of Speaker	M	1,1	kg

## Suggested Applications

Vb	Fb	Dp	Lp	F-3
liters	Hz	cm	cm	Hz
25	43,0	6	14	52,2
35	44,3	6	8	45,4