

# L.CAO AUDIO FA-8: Fullrange speaker with AlNiCo-motor

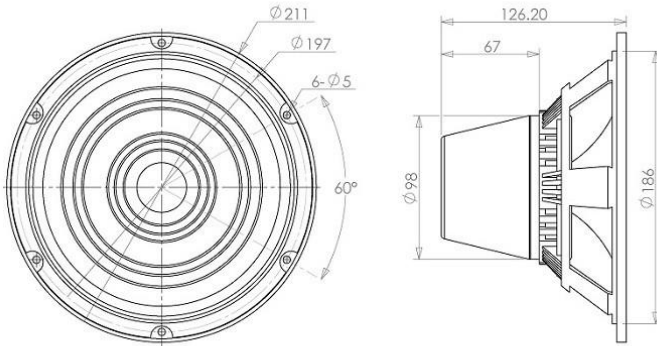


063A:

$F_s$	57.1205 Hz	$V_{AS}$	63.2578 L	$R_e$	7.2000 $\Omega$
$Q_{MS}$	7.2592	$Q_{ES}$	0.7812	$Q_{TS}$	0.7053
$B_l$	5.7268 T·m	$dB_{SPL}$	93.8101	$S_D$	0.0241 m <sup>2</sup>
$C_{MS}$	0.7830 mm/N	$M_{MS}$	9.9145 g	$R_{MS}$	0.4902 $\Omega_m$
$C_{AS}$	4.53E-7 m <sup>2</sup> /N	$M_{AS}$	17.14 kg/m <sup>4</sup>	$R_{AS}$	847 $\Omega_A$
$C_{MES}$	302.3083 $\mu$ F	$L_{CES}$	25.6806 H	$R_{ES}$	66.9058 $\Omega$
$R_{AT}$	8721 $\Omega_A$	$R_{MT}$	5.0452 $\Omega_m$	$M_{MD}$	7.8032 g
$Z_{MIN}$	8.6114 $\Omega$	$Z_{MAX}$	74.1058 $\Omega$	$Z_{AVG}$	12.3639 $\Omega$
$\eta_0$	1.4488 %	$L_{1kHz}$	0.9878 mH	$L_{10kHz}$	0.1537 mH

063B:

$F_s$	57.3331 Hz	$V_{AS}$	58.2417 L	$R_e$	7.2000 $\Omega$
$Q_{MS}$	7.8987	$Q_{ES}$	0.8256	$Q_{TS}$	0.7475
$B_l$	5.7949 T·m	$dB_{SPL}$	93.2597	$S_D$	0.0241 m <sup>2</sup>
$C_{MS}$	0.7209 mm/N	$M_{MS}$	10.6887 g	$R_{MS}$	0.4875 $\Omega_m$
$C_{AS}$	4.17E-7 m <sup>2</sup> /N	$M_{AS}$	18.48 kg/m <sup>4</sup>	$R_{AS}$	843 $\Omega_A$
$C_{MES}$	318.3018 $\mu$ F	$L_{CES}$	24.2097 H	$R_{ES}$	68.8861 $\Omega$
$R_{AT}$	8904 $\Omega_A$	$R_{MT}$	5.1514 $\Omega_m$	$M_{MD}$	8.5774 g
$Z_{MIN}$	8.7598 $\Omega$	$Z_{MAX}$	76.0861 $\Omega$	$Z_{AVG}$	12.3294 $\Omega$
$\eta_0$	1.2763 %	$L_{1kHz}$	1.0317 mH	$L_{10kHz}$	0.1562 mH



单位: mm

产品型号 Model:	FA8
产品名称 Name:	FA8 Alnico magnetic full range speaker
口径 Diameter:	8 inches
频响 Frequency Response:	53Hz-20kHz
额定阻抗 Norminal Impedance:	8 $\Omega$
灵敏度 Sensitivity (W/m):	93dB
额定功率 Norminal Power:	20W
最大功率 Maximum Power:	40W
谐振频率 Resonant Frequency:	53Hz
力系数 BL:	5.73T·m
最大线性位移 Xmax:	4mm
机械Q值 Qms:	7.26
电Q值 Qes:	0.78
总Q值 Qts:	0.71
直流电阻 DCR:	8.1
等效振动质量 Mms:	9.91g
等效容积 Vas:	63L
磁路类型 Magnetic Circuit Type:	outside magnetic circuit
磁体材料 Magnetic Material:	Alnico magnetic
外形尺寸 Contour Dimension:	211×126.2 (mm)
净重 Net Weight:	2.7Kg/PC

